

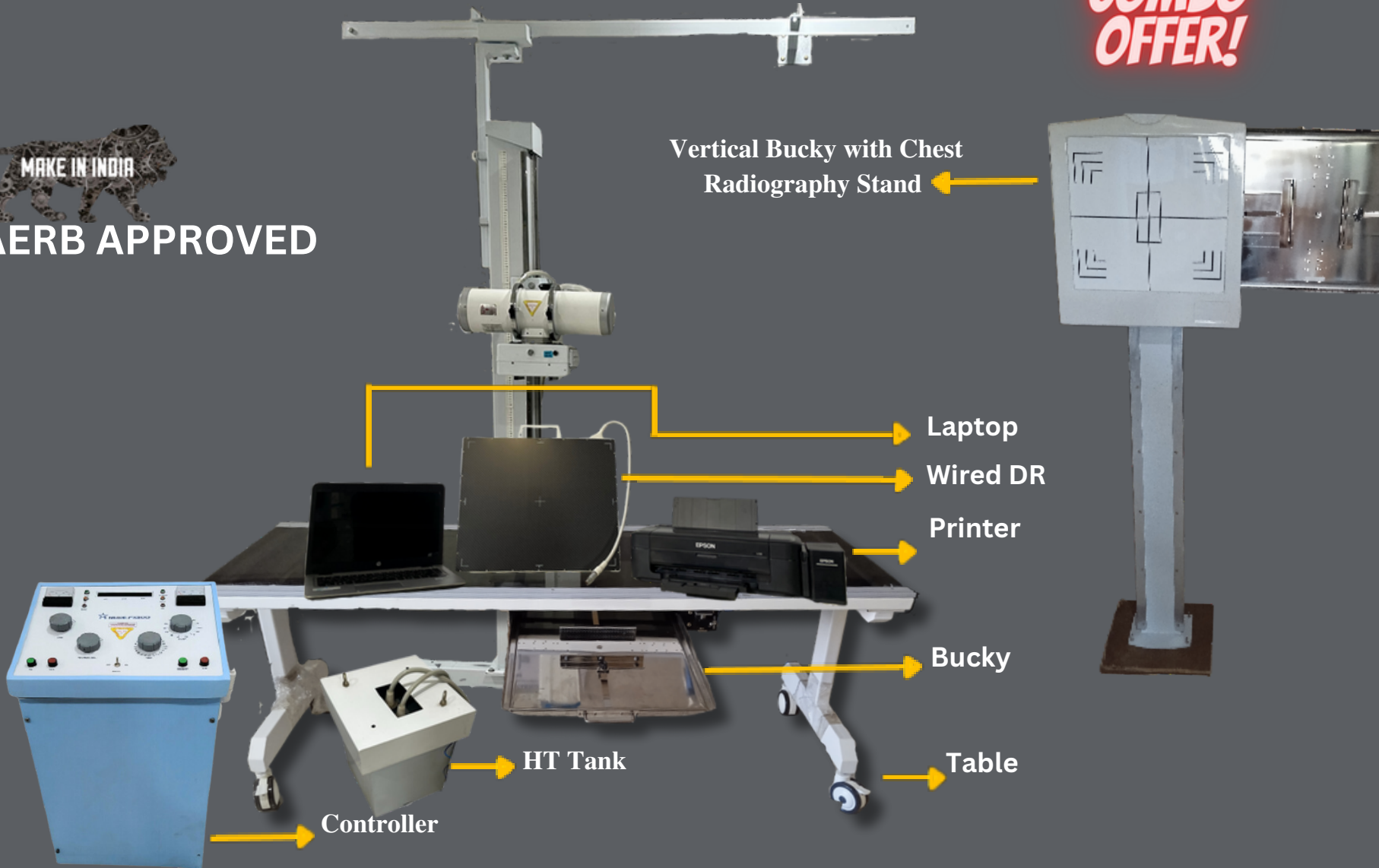
300mA Line Frequency X Ray With Toshiba X-Ray Tube Complete Set Up

300 ma LF Combo with Wired DR

**COMBO
OFFER!**



AERB APPROVED



Vertical Bucky with Chest
Radiography Stand

Laptop

Wired DR

Printer

Bucky

Table

HT Tank

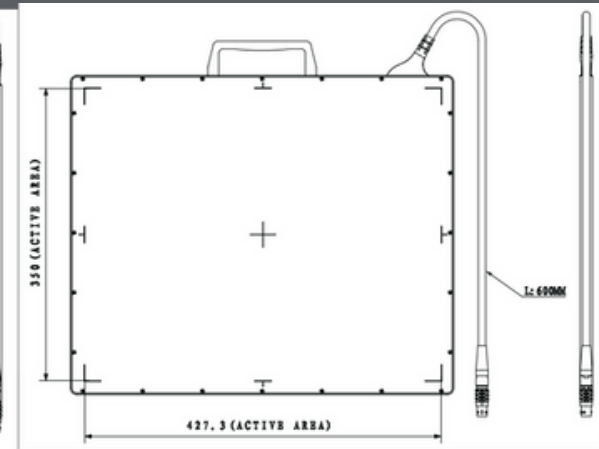
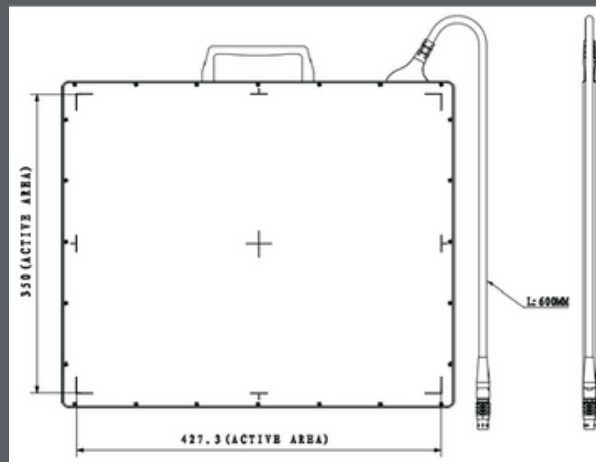
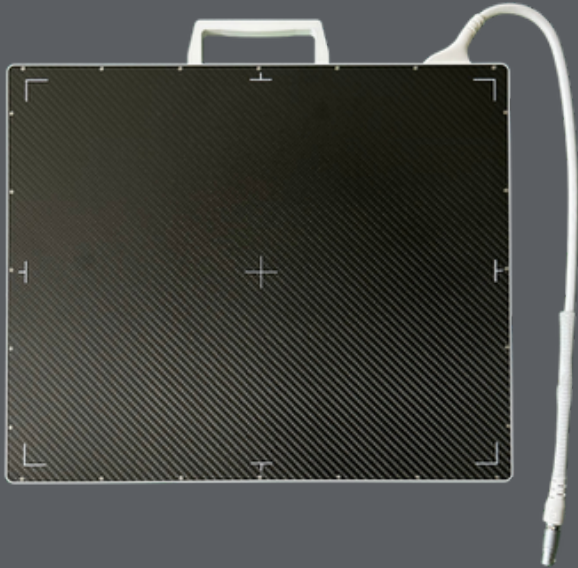
Controller



Wired DR SYSTEM

BRIEF DESCRIPTION

Pixel Pitch	140 μm
Pixel Matrix	2500 x 3052
ADC	16-bit
Gain Stage	Multi-Gain
Scintillator	GOS/CSI
Water Proof	IPX0
Interface	Quick self-locking connector
Calibration	Software, Firmware
Radiation Hardness	$\geq 10000\text{Gy}$



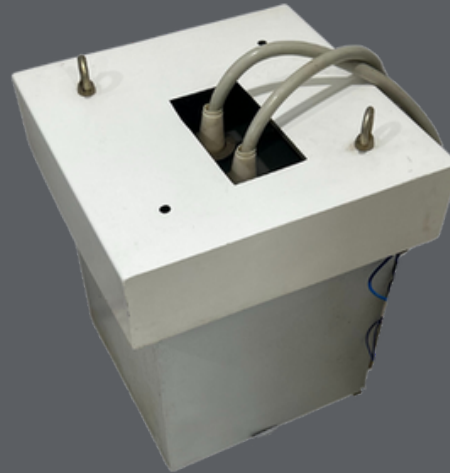
Controller



Tube Head



HT Tank





Laptop

TECHNICAL SPECIFICATION

Processor Intel(R) Core (TM) i5-6300 CPU
Installed RAM 8GB
System Type 64-bit operating system Pen
and Touch No Pen and touch

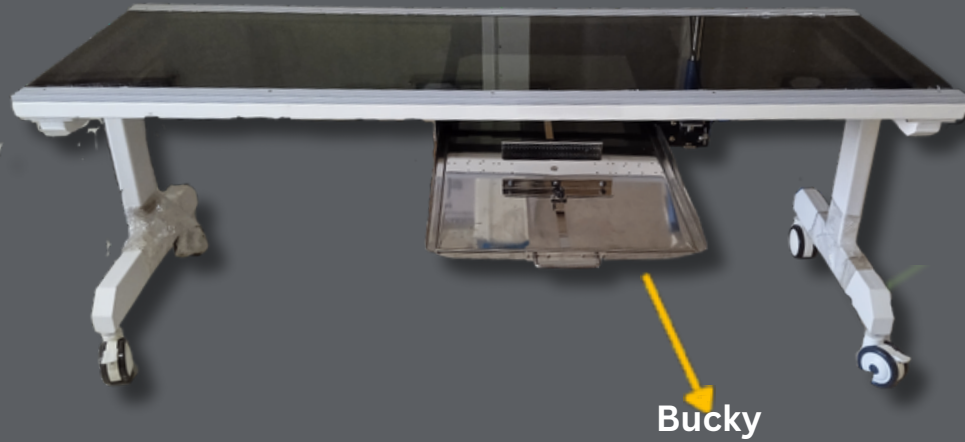


Printer

TECHNICAL SPECIFICATION

Ink Type Inkjet
Colour Output Colour
Connectivity USB
Print Speed (Monochrome) 7 ppm (mono)
Print Speed (Colour) 7 ppm (colour)





TECHNICAL SPECIFICATION

1. Table Dimension: "76 x26 x29.5"inch
2. Table Load:200kg
3. Table Surface:Polycarbonate

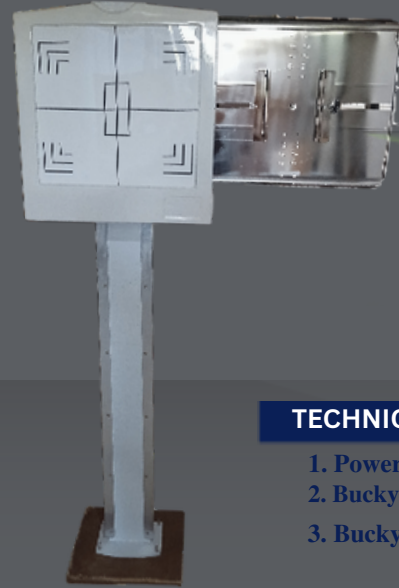




Front



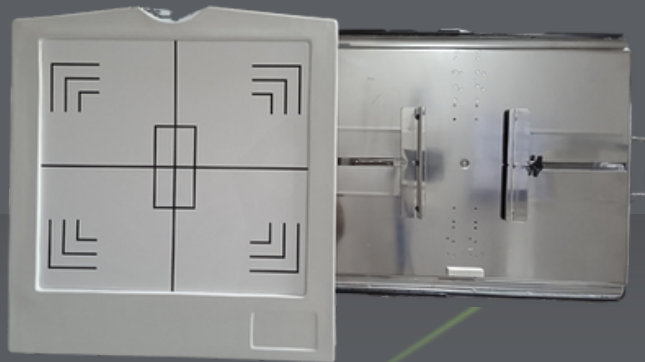
Back



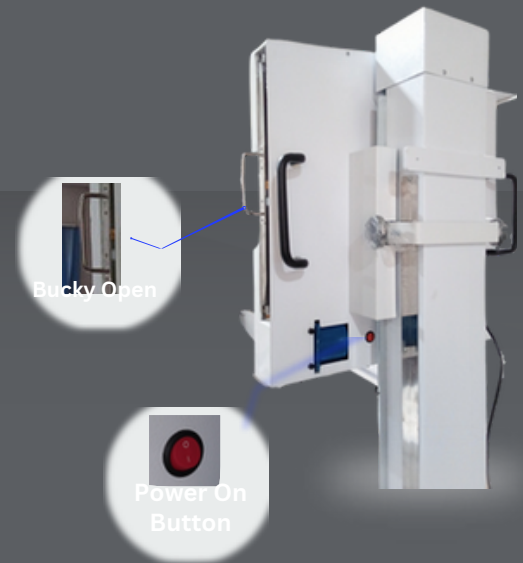
This is Bucky

TECHNICAL SPECIFICATION

- 1. Power Supply : 230V
- 2. Bucky Space : 18 X 18
- 3. Bucky Stand Height : 77inch



Bucky




Bucky Open

Power On Button



Technical Specification

- 
1. RADIOGRAPHY : 300MA, 125KV, 24KW
 2. TUBE CURRENT : 50MA, 100 MA, 200MA, 300 MA
 3. TUBE VOLTAGE : 45 TO 125 KVP (15 STEPS)
 4. TIMER : 0.02-5 SECONDS (24 STEPS)
 5. X-RAY TUBE : INDIAN / IMPORTED ROTATING ANODE
 6. COLLIMATOR : MANUAL LIGHT BEAM DIAPHRAGM
 7. POWER SUPPLY : SINGLE PHASE 230 ,50 HZ
 8. RECTIFICATION : Full Wave Rectified Using Silicon Rectifiers



AERB APPROVED

X Ray India Private Limited

Contact Us: +91-141-2983862, +91-7073577706

Email: info@xrayindia.net Web: www.xrayindia.net



Website



Ray India